

Applying RFID technology in nuclear materials management

H. C. Tsai¹, K. Chen¹, Y. Liu*¹, J. P. Norair², S. Bellamy³ and J. Shuler⁴

The Packaging Certification Program (PCP) of US Department of Energy (DOE) Environmental Management (EM), Office of Safety Management and Operations (EM-60), has developed a radio frequency identification (RFID) system for the management of nuclear materials. Argonne National Laboratory, a PCP supporting laboratory, and Savi Technology, a Lockheed Martin Company, are collaborating in the development of the RFID system, a process that involves hardware modification (form factor, seal sensor and batteries), software development and irradiation experiments. Savannah River National Laboratory and Argonne will soon field test the active RFID system on Model 9975 drums, which are used for storage and transportation of fissile and radioactive materials. Potential benefits of the RFID system are enhanced safety and security, reduced need for manned surveillance, real time access of status and history data, and overall cost effectiveness.

Keywords: Radio frequency identification, Packaging, Radioactive materials, Transportation and storage, Safety and security

Introduction

Radio frequency identification (RFID) technology¹⁻⁴ is one of the most rapidly growing segments of today's automatic data collection industry. Examples of pervasive RFID applications are traffic toll collection, access control, cargo container monitoring for the military and inventory control in the pharmaceutical industries. Passive RFID tags, which do not contain an onboard power supply or environmental sensor capabilities, are often used to replace barcode labels in retail, pharmaceutical and military environments. Active RFID tags are distinct from passive RFID tags as they are equipped with an onboard power supply as well as sensors for monitoring environmental conditions and other critical parameters, such as the status of seals and object movement. These sensors can supplement existing safeguard measures and provide real time alarm when preset thresholds are exceeded. Potential benefits of the application of active RFID tags in nuclear materials management are enhanced safety and security, reduced need for manned surveillance, real time access of status and history data, and overall cost effectiveness. Potential limitations of the RFID tags are inadequate resistance to radiation and battery life under service conditions that include storage and transportation of radioactive materials containers, such as the Model 9975 packagings. Thousands of the Model 9975 packagings

have been certified by the US Department of Energy for shipment of Type B radioactive and fissile materials in accordance with Part 71, Title 10 Code of Federal Regulations on Packaging and Transportation of Radioactive Material. Thousands of the Model 9975 packagings are currently used for interim storage of plutonium bearing materials in specifically designed 3013 cans.⁵

In 2006, the Packaging Certification Program (PCP) of Office of Safety Management and Operations (EM-60) initiated a project to evaluate the potential application of the RFID technology as part of a long term strategy in the life cycle management of fissile and radioactive materials packaging.^{6,7} A small number of high performance, commercial RFID tags (ST-676)⁸ were obtained from Savi Technology. These tags were irradiated at Argonne National Laboratory and continuously monitored for performance over a period of 3 months. The surprisingly robust results of the tags led to discussions between Argonne (on behalf of PCP) and Savi that culminated in a collaboration on the development of a prototype RFID system, an effort that involved both hardware modification and software development. Highlights of this effort are given in the remaining sections of this paper, along with a plan for field testing and future activities.

Gamma irradiation testing

The Savi ST-676 tag, shown in Fig. 1a, has a form factor custom designed for the ISO container door application and is already widely used in military and commercial transport. Its operating frequency, 433.9 MHz, is known to be effective around metallic objects and offers good non-linear communication. The standard sensor suite includes temperature, humidity, shock, light and seal. A RS-485 port allows room for expansion to

¹Argonne National Laboratory, Argonne, IL 60439, USA

²Savi Technology, Mountain View, CA 94041, USA

³Savannah River National Laboratory, Aiken, SC 29808, USA

⁴Department of Energy, Washington, DC 20585, USA

*Corresponding author, email yyliu@anl.gov

The figures in this paper were provided in colour. However, in this printed copy, they are published in black and white. Subscribers to the Journal can access the online version with colour figures at no cost as part of their subscription.



1 a Savi ST-676 tag and b handheld mobile reader

include other sensors, if warranted. The tag is equipped with two sizable non-volatile read-write memory banks, 128 kB for user data and 32 kB for sensor logs. The tag uses one A size, Li-SOCl₂ primary battery, which has high energy density and low self-drainage. Typical battery life is 3–4 years, depending on usage.

The Savi handheld mobile reader mounted on the Intermec 751G/A mobile computer, shown in Fig. 1b, has installed software for communication with the ST-676 tags and a computer. Four ST-676 tags were irradiated by a calibrated 20-Ci ¹³⁷Cs source (662 keV gamma) in a shielded vault, and were continuously monitored by the reader via the radio frequency (rf) link. The metrics used to gauge the tag performance during the irradiation were the rf link, sensor response and integrity of the stored user file. The size of the stored user file was such that nearly all of the 128 kB memory addresses were occupied. With these three periodic actions and responses, all crucial components in the tags were checked for radiation degradation. The irradiation lasted 3 months (October–December 2006) and reached a peak dose of 35.6 krem (356 Sv).

The endurance irradiation test results showed that below 31 krem (310 Sv), all tags performed normally, while above 31 krem (310 Sv), two of the tags began to exhibit incipient rf difficulties. In a field of 200 mR h⁻¹ (200 μSv h⁻¹), which is the regulatory dose rate limit on the surface of a Type B packaging, 31 krem (310 Sv) would correspond to a service life of >17 years. As most storage or transportation venues have significantly lower radiation background, the serviceable life of the tags would be proportionally longer. On the basis of this finding, it was concluded that the selected platform is suitable for further development.

During the gamma irradiation, the Li-SOCl₂ batteries were exposed to the same dose field as the tags' electronic boards and antenna. No safety or performance issues were encountered during the 3 month irradiation.

Prototype tag design and production

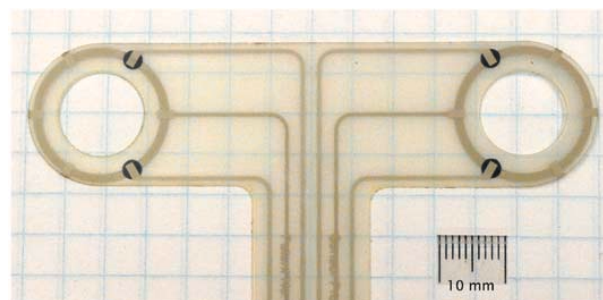
The guidelines adopted for the prototype tag design were as follows: retain as much as possible of the electronic core of the stock ST-676 tags to minimise developmental costs, and make the form factor universal

such that the tags can be adopted for different packaging types. The reference packaging selected for the tag development and demonstration is the Model 9975 packaging,⁹ which is a 35 gallon drum with a bolted closure lid.

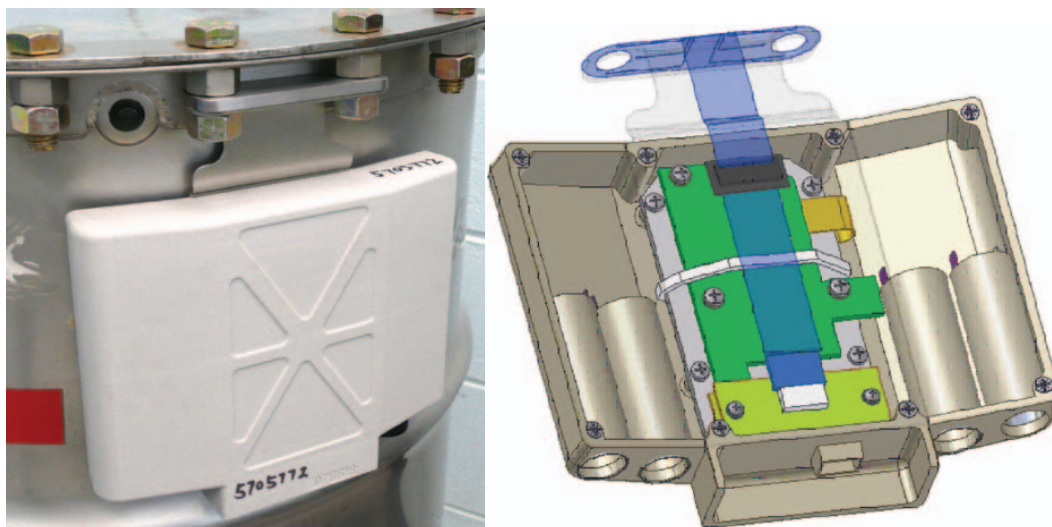
The original seal sensor of the ST-676 tag is designed for the door of a cargo container, not for drums with a bolted closure lid. A new seal sensor that would work with the drum bolts, therefore, was needed for the prototype tags. The resultant seal sensor design is shown in Fig. 2. The four dark patches in the sensor are the force sensitive elements, and the two large openings are for the drum bolts. The electrical leads above and below the elements relay the state of compression (kΩ when compressed and MΩ when not) to the tag electronics. The substrate is flexible plastic sheeting, and the assembly is protected by a plastic overlay. This design is for two adjacent bolts on a Model 9975 drum.

With the threshold level of this sensor set at ~0.5 MΩ, alarms could be triggered even if the bolt is barely loosened. The force sensitive material is silk screen printable on a flexible plastic membrane, rendering it a relatively low cost production. The method also allows ready modifications for different configurations and packagings. As the new seal sensor has no active components, its operation exerts essentially no load on the battery.

To reduce the likelihood of unintentional bumping and impact during handling of drums, the prototype tags are designed to have a slim profile that fits within the footprint of the 9975 drum cover. Figure 3 shows the front and back view of the tag. When mounted, the seal sensor and its ribbon cable are concealed behind the back plate. The front cover is made with ABS plastic by rapid prototyping; the back cover is made with a sheet



2 Seal sensor for prototype tags



3 Left: prototype tag mounted on Model 9975 drum and right: interior view of tag with metal back plate removed

metal to provide structural rigidity. Injection moulding is likely to be the manufacturing route for a large volume production of tags.

Up to four A size Li-SOCl₂ batteries may be installed in the tag. The parallel batteries are managed by means of a smart switching circuit: only one battery is activated at any time to preclude leakage loops between batteries. As the self-drain of the Li-SOCl₂ battery is miniscule, multiple batteries can effectively extend the service period between battery changes. As will be discussed later, the condition of low battery status will trigger a warning for the operator to take action. Because the tag memory is non-volatile, a low battery state will not result in a loss of data.

The prototype tags retain the original temperature, humidity and shock sensors of the ST-676s. By a judicious selection of the trip points, these sensors can provide valuable data to the surveillance effort during all operational phases of nuclear materials management. For instance, the shock sensor threshold may be set high for the drum transport, but it can be reset for the storage to alert even the slightest movement. Because all sensor actions are recorded, a life long history is automatically created for every drum and is instantly retrievable by the

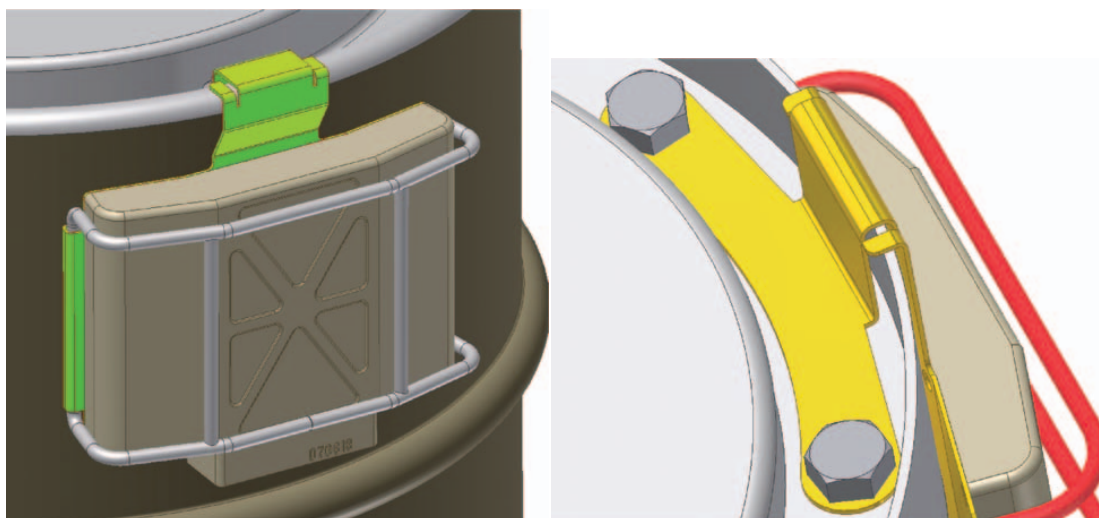
operator. A compact radiation dosimeter sensor is under development.

By including a back plate with the proper top flange configuration, the prototype tag may be used for different types of drums without changing the electronic core. Figure 4 shows a conceptual view of the prototype tag mounted on an ES-3100 drum. A seal sensor of slightly different configuration would be required, but such a modification is straightforward for the silk screen production process. In this manner, the cost for development of tags for different packagings could be held to a minimum.

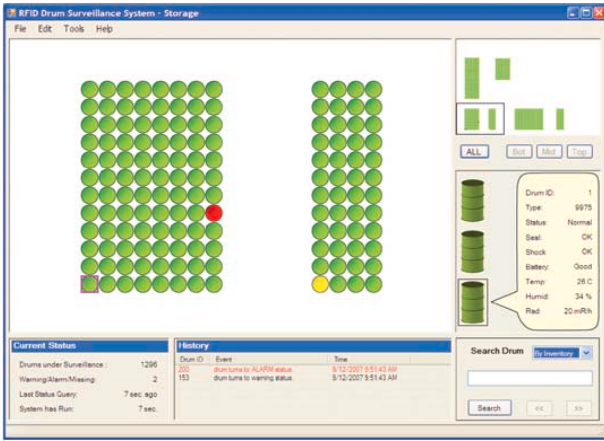
The prototype tag measures about 120 mm (height) × 180 mm (width) × 25 mm (diameter) and weighs ~700 g. The estimated production cost per tag is on the order of ≤\$200.

Prototype application software development

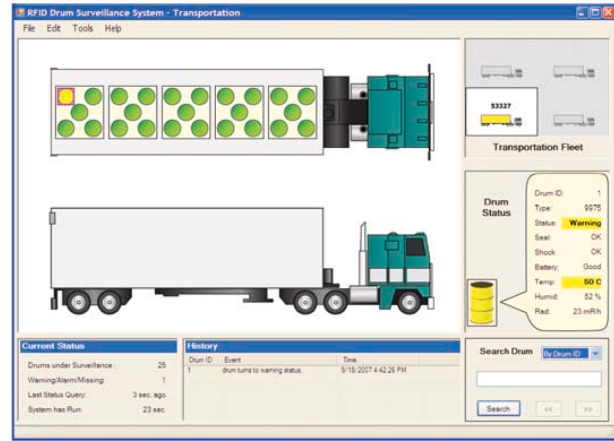
The application software on a desktop or handheld computer is the central part of the RFID system. The computer software receives signals from the readers and the tags, filters the data for duplicate or erroneous reads,



4 Conceptual mounting of prototype RFID tag on ES-3100 packaging: similar variations can be adopted for other drum types



5 Sample application software GUI for drum storage



6 Sample application software GUI for drum transport

applies rules based business logic and presents the data to the user in an easy to understand way. The user is also able to control and programme the readers and the tags by sending commands to them through the software. For example, the software can allow the user to change sensor thresholds on a tag or to modify beaconing rates. The software can also store the information in a database for archiving or sharing the information with remote users through a secured network. Once set up, the software can work with the readers and the tags autonomously, requiring no human intervention.

The prototype application software consists of three key components: the graphical user interface (GUI), the feature set and the underlying software architecture.

Graphical user interface

The user friendly GUI is a critical part of the application software. The design philosophy is to present all relevant information in an intuitive way on the console screen so that the user can take immediate actions based on the information presented. The user should be able to retrieve all pertinent information easily by instructions provided with a few mouse clicks. A well designed GUI can significantly reduce the learning curve of a user and ease the operation, thus increasing his/her efficiency and productivity. A sample GUI screen for drum storage is shown in Fig. 5. Several thousand drums can be monitored in this manner.

The screen shown in Fig. 5 has six panes. The top right pane is an overview of the entire domain, viewed from the top. The user can click on a specific region in that pane to zoom in and when a drum status becomes abnormal, the symbol turns to yellow (warning) or flashing red (alarm). As the drums may be stacked in storage, the user can select and view the stacked drums in the side view pane on the right of the screen. By clicking on a drum, the detailed information of the drum, including its environmental conditions and battery status, is displayed in a pop-up window. At the bottom of the GUI screen, from left to right, are the current status pane, the event history pane and the search pane.

Specific GUIs can be designed to handle different applications, e.g. storage or transport. Figure 6 shows a GUI screen for drum transport. Like the storage GUI, the transport GUI also has six panes, with nearly identical functional descriptions and purposes to those for the storage GUI. These GUIs can be easily

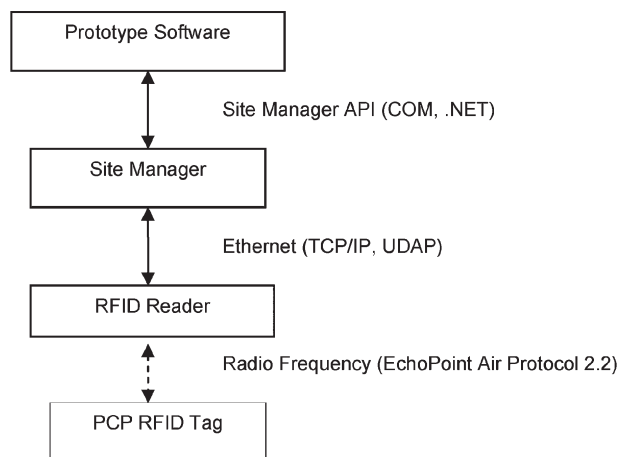
customised for a particular storage site to satisfy its unique requirements. A privilege can be assigned to the system administrator (or designate) to access the administrator GUI, which has functions that are not available to the general users.

The PCP RFID software, including the prototype storage GUI and transportation GUI, was developed on the Savi SiteManager platform.¹⁰ The SiteManager provides an application programming interface for communication between the application software and the RFID readers. SiteManager is widely used in both military and commercial applications and was chosen for its rich feature set and mature code base.

Software feature set

The prototype software developed based on SiteManager is capable of monitoring thousands of drums simultaneously. If the status of any drum becomes abnormal, the software will bring the user’s attention to the situation immediately by triggering an alarm, which, depending on facility provisions, could be a siren, flashing lights, and/or signals sent to the responsible protective force. At the consoles, the operator or security personnel will see a flashing red symbol on the screen, with the cause of the alarm highlighted. The software also provides a convenient interface for the user to send commands to the readers and the tags. These commands include changing the alarm thresholds of the environmental sensors, resetting the alarm state after the corrective actions, updating the drum locations after movements, reading the history file from the tag memory and searching for specific drums. Some command functions are only available to the system administrator for security and logistic reasons.

The software automatically records in the computer database all the information retrieved from the tags and commands sent to the tags. It also routinely reads the inventory and history files from the tag memory and compares them to the record in the database to guarantee data integrity. The database can be made compatible to the existing systems at each storage site. Privileged remote users can access the data through a secured network. A search function is extremely useful for the inventory management, especially when the size of the inventory is large. This ability allows the operator instant access to information of all packagings that fit the search criteria. The software supports multiple search functions on criteria such as the drum ID,



7 Software structure for RFID system

originating site, originating date, arrival dates and materials stored. In laboratory tests, the search function performed as expected and located the subject drums instantaneously. The search functions can be readily customised by authorised system administrators. The search function and the information registered in the tags provide a powerful basis for a statistical sampling strategy regarding the facility's materials surveillance programme for the contents in the drums.

Software architecture

The adopted software structure of the RFID system is shown schematically in Fig. 7. The prototype software is written in Microsoft Visual C# and developed for the Microsoft NET framework. The forward looking design of the software provides excellent computing performance, lowers the future maintenance effort and cost and reduces the vulnerability of the software and computers to security threats. The software employs multithread technology that is able to handle a large quantity of tags simultaneously and respond to multiple RFID events instantly.

Preliminary system test results

A limited number of prototype tags have been produced, and a small scale RFID system has been built. Initial performance testing of the prototype RFID system, i.e. the tags, the readers, the Signpost portal and the application software, has been completed. The preliminary results are summarised as follows:

Read range

Using the SR-650 reader (ultrahigh frequency, 433 MHz), the tags can be read up to 90 m away in line of sight. Using the Signpost (low frequency, 123 kHz), which primarily serves as a portal, the tags have a read range up to 2.5 m. Both ranges can be reduced by adjusting the rf power level. A potential application of this feature is confining the rf communication inside a predefined region (for example, a portion of a vault or a truck) to enhance security.

Sensor performance

The tag can be attached onto the drum by two bolts. If either of the bolts is loosened, the seal sensor will trigger an alarm. The tag will send the alarm to the reader immediately and record the event in the tag memory.

The software shows the alarm on the computer screen and sends the alarm to a central station for action.

Environmental sensors (temperature, humidity and shock) can trigger alarms when the preset thresholds are exceeded. When an alarm is triggered, the reading of the sensor and the time when the alarm is triggered are recorded in the event log of the tag sensor memory. The thresholds can be set and reset through the software by the system administrator. When properly configured, the shock sensor can be used to detect unauthorised movement of the drum.

Memory read/write

The tags have 128 kB onboard non-volatile user memory that can store inventory and history files. Coupled with the application software, the tag memory can store files in any conventional formats. The data rate of the rf read or write between the reader and the tag is up to 27.8 kbps. Even though the memory is non-volatile, the file contents are periodically backed up on the processing computer for redundancy.

Seal sensor

A long term durability test on the seal sensors has been under way for 6 months since April 2007, during which time the sensors have been periodically compressed and released. Thus far, the variations of the resistances have been negligible compared with the large resistance gap between the compressed and released states. The sensor durability test is continuing.

Battery life

Owing to the footprint constraint, the tags use four relatively small (A size) Li-SOCl₂ batteries, each having a 3.4 A h capacity. A battery drain measurement has been performed to estimate the battery life of the tag. Based on the measurement, the following strategy for near optimal tag usage is suggested.

When no rf operation is taken, the tag is in the sleep mode. When the tag is polled by the reader and initiates an rf operation, it will go through a cycle of three stages. The first is the wake-up stage, which takes 4–5 s. The second is the operating stage, during which the real operation (querying sensors, memory read/write and status transmission, etc.) takes place. This stage usually lasts less than 1 s. The third is the back to sleep stage, which takes ~30 s. As the current drain is modest in all three stages, a set of four batteries would last >10 years if the polling frequency is no more than once or twice daily.

The battery life could be shortened by frequent alarm events. But this situation is considered to be extremely unlikely as alarms are expected to be rare. Periodic archiving of the stored user file on the tag to the central computer would also tax the batteries, particularly if the file size is large. But this archiving operation (to detect slow aging of the tag electronics and to prevent file corruption) can be infrequent, i.e. no more than once a week, and still be effective. Under these assumed operation conditions, the stated battery life of >10 years is feasible.

Future activities

Good operating experience has been gained from the testing of the RFID system so far, and a freeze of the tag design, called Mk-1, is expected in early 2008. Discussion is under way to build an initial batch of the Mk-1 tags through industrial production. If quantity

(several hundreds) is an issue for commercial manufacturing, an option exists for production of a smaller lot of the Mk-1 tags in house. The unit cost would be higher, and the production rate would be lower. However, neither is expected to interfere with the use of the Mk-1 tags for field demonstration at US Department of Energy (DOE) sites.

Refinement of the application software is a continuing process. During the course of the upcoming field demonstration, valuable feedback is expected to be received from the field users. The current beta version of the software could be finalised during or after the field demonstration. Over the longer term, additional application software functionality and features could be added. These may include enhanced analytics and reporting capabilities, increased alerting functionality, remote firmware upgrades, and asset repositioning and optimization functionality.

The number of tags that the RFID system can handle at this time is limited by the reader hardware. One reader can handle several hundred RFID tags simultaneously but is limited by the data transfer rate. A multireader network needs to be developed and tested. There is no conceptual difficulty in such a development, and a multiple reader system should be able to reliably handle thousands of tags on drums. The actual implementation of a working system could turn out to be an art and science.

Security enhancement and vulnerability assessment of the information produced will be emphasised in the future development. Both the information stored in the tags and the rf communication between the tags and the readers will be encrypted. Only authorised personnel with appropriate equipment will be able to read and write the tags. The software will have user accounts with different levels of privilege. Some operations, such as resetting the alarm, should only be performed by the system administrators. A secured network will be developed for sharing the information only with authorised, offsite users.

Conclusions

The Packaging Certification Program of EM-60 has developed an RFID system for management of nuclear materials. The development of the RFID system involved hardware modification, software development and irradiation experiments. Initial testing of the prototype RFID system has been completed with encouraging results. The sensors in the tags have shown to be capable of providing early warnings on seal integrity and abnormal environmental conditions. This ability supplements the existing safeguard measures and may lead to reduced manned surveillance effort. In situations where the radiation field is substantial, this will curtail personnel exposure. With the onboard non-volatile memories, the environmental histories during transport and storage and packaging manifest become resident with the tags. With proper equipment and authorisation, this information can be accessed anytime. From the standpoints of record keeping and quality assurance, this offers an unprecedented opportunity to modernise the management of all types of DOE fissile and radioactive material packagings. Field testing and demonstration of the RFID system will begin shortly for the Model 9975 drums, which are used for storage and transportation of fissile and radioactive materials. It is anticipated that the RFID system will perform well in

the field test and demonstration. The PCP RFID system can be easily adapted for other types of packagings.

Acknowledgements

The authors wish to acknowledge the assistance provided by K. Merritt and P. Burns of Savi Technology, the contributions by S. Wiedmeyer and A. McArthur of Argonne National Laboratory and S. Naday of AVIEX LLC on tag mechanical design and electronic modification and enhancement, and the generous support of the Argonne Dosimetry Group led by D. Pepalis for making the ^{137}Cs calibration facility available for the gamma irradiation testing. This work is supported by the US DOE, Environmental Management, Office of Safety Management and Operations (EM-60) under contract no. DE-AC02-06CH11357. The US Government retains for itself, and others acting on its behalf, a non-exclusive, royalty free license with the rights to reproduce, to prepare derivative works, and to display publicly.

This work was prepared as an account of work sponsored by an agency of the US Government. Neither the US Government nor any agency thereof, nor UChicago Argonne, LLC, nor any of their employees or officers, makes any warranty, express or implied, or assumes any legal liability or responsibility for the accuracy, completeness, or usefulness of any information, apparatus, product, or process disclosed, or represents that its use would not infringe privately owned rights. Reference herein to any specific commercial product, process or service by trade name, trademark, manufacturer or otherwise, does not necessarily constitute or imply its endorsement, recommendation, or favouring by the US Government or any agency thereof. The views and opinions of document authors expressed herein do not necessarily state or reflect those of the US Government or any agency thereof, Argonne National Laboratory, or UChicago Argonne, LLC.

References

1. S. D'Hont: 'The cutting edge of RFID technology and applications for manufacturing and distribution'; 2004, Dallas, TX, Texas Instrument TIRIS.
2. R. J. Jackson: 'Radio frequency identification (RFID)', White Paper, 2004, available at: http://home.att.net/rfid/what_is_rfid.pdf
3. ChainLink Research: 'The science of RFID'; 2007, Cambridge, MA, ChainLink Research.
4. T. Karygiannis, B. Eydt, G. Barber, L. Bunn and T. Phillips: 'Guidelines for securing radio frequency identification systems', Special Publication 800-9; 2007, Gaithersburg, MD, National Institute of Standards and Technology.
5. US DOE: 'Stabilization, packaging, and storage of plutonium-bearing materials', DOE-STD-3013-2004; 2004, Washington, DC, US DOE.
6. US DOE: 'Packaging certification program, success stories, challenges, and strategic directions', DOE Environmental Management; 2007, Washington, DC, Office of Safety Management and Operations.
7. Y. Liu, S. Bellamy and J. Shuler: *Packag. Transp. Stor. Secur. Radioact. Mater.*, 2007, **18**, (4), 219–225.
8. Savi Technology: 'Savi SensorTag ST-676, ISO container door tag with intrusion and environmental sensors'; 2006, Mountain View, CA, Savi Technology.
9. Washington Savannah River Company: 'Safety analysis report for packaging Model 9975', Rev. 0, WSRC-SA-2002-0000, Washington Savannah River Company, Aiken, SC, USA, 2003.
10. Savi Technology: 'Savi SmartChain® Site Manager, unique network software for device and data management of RFID and other disparate AIDC systems'; 2006, Mountain View, CA, Savi Technology.